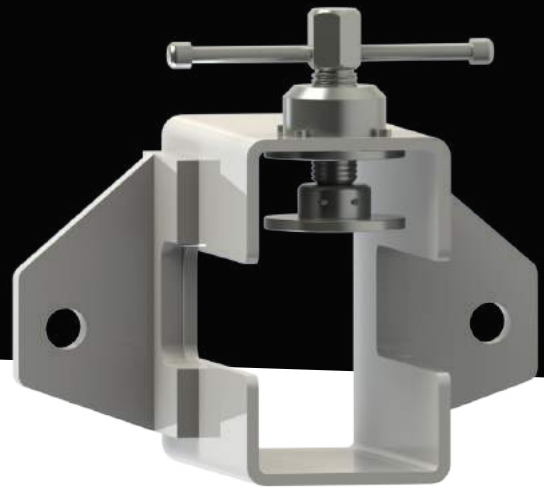


GET A GRIP...

SURE GRIP®

THE ORIGINAL SINCE 1998!



7 TONNE W.L.L.

Sure Grip® Belt Clamps were designed by a Belt Splicer for Belt Splicers and is the one tool that they can't be without.

With the inherent risks associated and liability involved with installing and removing conveyor belts, only the best design should be considered.

Sure Grip® Belt Clamps apply positive pressure directly to the surface of the belt. This means less damage to the carcass of the conveyor belt and generates significantly more pulling force.

The Sure Grip® Belt Clamp is robust and the bolt is not removed from the clamp, thus minimising damage and/or loss.

FEATURES

- ▶ The Original patented design since 1998
- ▶ Australian Made
- ▶ Clamp end & Screws are made from High Grade Steel
- ▶ Designed for use in any conditions
- ▶ Choice of Lightweight aluminium bars or heavy duty steel bars
- ▶ Easy to transport & assemble
- ▶ Available in different colours
- ▶ Available in single lug or double lug head
- ▶ Available with ratchet winches to remove trough on heavier belts.





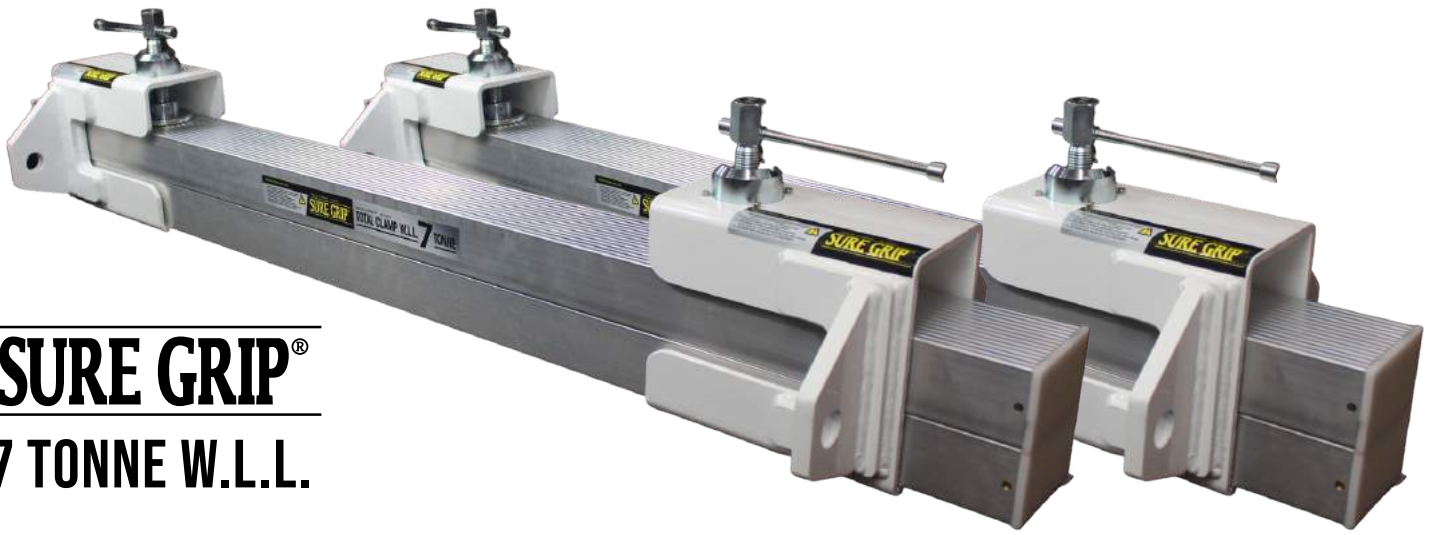
SURE GRIP®

7 TONNE W.L.L.

OPERATING PROCEDURE

- ▶ Ensure the conveyor belt is fully isolated and tagged out to the site's ISOLATION PROCEDURE
- ▶ Select position where clamp/clamps are to be used. Clean belt of all forms of dirt, moisture and oils etc. Unscrew both clamp bolts, remove end assemblies and separate the bars.
- ▶ Position the bottom bar under the belt and support each end, **ensuring it is 90 degrees to the belt.**
- ▶ Place the top bar into position, slide the end clamps over the top and bottom bar and ensure that clamps are placed against each edge of the conveyor belt.
- ▶ If using a torque wrench ensure the correct pressure is applied to the tensioning bolts to ensure maximum clamping force. **(It is not necessary to over tighten main screw as 160 N/M applies a force of 3.5 tonnes)**
- ▶ Connect the pulling appliances to the lugs of the clamps and tension until sufficient slack belt has been obtained. When two appliances are used, **operate them together and evenly. Please note that W.L.L. applies to each clamp head when appropriate chains and slings are used on the pulling lugs provided.**
- ▶ To remove the clamps, when the belt repair is finished, reverse the above procedure.





SURE GRIP®

7 TONNE W.L.L.



SG7-CH-L



SG7-CH-DL



SG7-CH-R



SG7-HD-L



SG7-HD-DL



SG7-HD-R



SG7-B0

SURE GRIP 7 TONNE BELT CLAMPS

Max Belt Thickness = 50mm

Single Lug Set[#]

Double Lug Set^{*}

Belt Width		Bar Length [^]	
mm	in.	mm	in.
1200	48	1600	64
1400	56	1800	72
1500	60	1900	76
1600	64	2000	80
1800	72	2200	88
1900	76	2300	92
2000	80	2400	96
2200	88	2600	104
2400	96	2800	112
2500	100	2900	116

Item Code	Weight	
	kg	lbs
SG7-ST-1200-AB-SL	134.78	297.20
SG7-ST-1400-AB-SL	139.62	307.87
SG7-ST-1500-AB-SL	142.04	313.21
SG7-ST-1600-AB-SL	144.46	318.54
SG7-ST-1800-AB-SL	149.30	329.22
SG7-ST-1900-AB-SL	151.72	334.55
SG7-ST-2000-AB-SL	154.14	339.89
SG7-ST-2200-AB-SL	158.98	350.56
SG7-ST-2400-AB-SL	163.82	361.23
SG7-ST-2500-AB-SL	166.24	366.57

Item Code	Weight	
	kg	lbs
SG7-ST-1200-AB-DL	138.30	304.96
SG7-ST-1400-AB-DL	143.14	315.63
SG7-ST-1500-AB-DL	145.56	320.97
SG7-ST-1600-AB-DL	147.98	326.30
SG7-ST-1800-AB-DL	152.82	336.98
SG7-ST-1900-AB-DL	155.24	342.31
SG7-ST-2000-AB-DL	157.66	347.65
SG7-ST-2200-AB-DL	162.50	358.32
SG7-ST-2400-AB-DL	167.34	368.99
SG7-ST-2500-AB-DL	169.76	374.33

SURE GRIP 7 TONNE BELT CLAMPS REPLACEMENT BARS

Max Belt Thickness = 50mm

Single Lug Set[#]

Belt Width		Bar Length [^]	
mm	in.	mm	in.
1200	48	1600	64
1400	56	1800	72
1500	60	1900	76
1600	64	2000	80
1800	72	2200	88
1900	76	2300	92
2000	80	2400	96
2200	88	2600	104
2400	96	2800	112
2500	100	2900	116

Item Code	Weight	
	kg	lbs
SG7-ST-1200-AB	9.81	21.64
SG7-ST-1400-AB	11.02	24.30
SG7-ST-1500-AB	11.63	25.64
SG7-ST-1600-AB	12.23	26.97
SG7-ST-1800-AB	13.44	29.64
SG7-ST-1900-AB	14.05	30.97
SG7-ST-2000-AB	14.65	32.31
SG7-ST-2200-AB	15.86	34.98
SG7-ST-2400-AB	17.07	37.64
SG7-ST-2500-AB	17.68	38.98

[#] Single Lug Set includes 2 x SG7-CH-L Heads, 2 x SG7-CH-R Heads and 4 x Bars

^{*} Set includes 4 x SG7-CH-DL Heads and 4 x Bars.

[^] Additional Bar lengths available on request