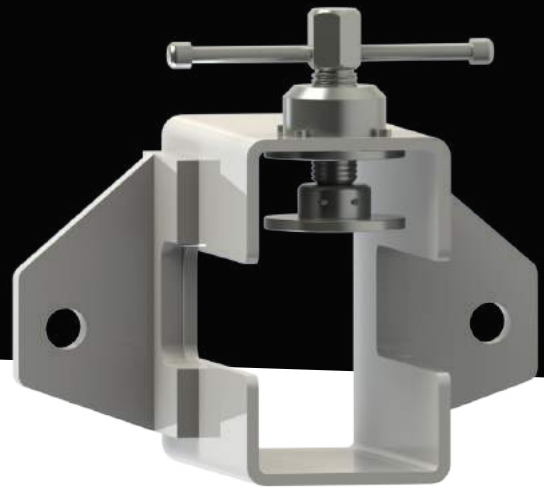


GET A GRIP...

SURE GRIP®

THE ORIGINAL SINCE 1998!



7 TONNE W.L.L. INCLUDING RATCHETS

Sure Grip® Belt Clamps were designed by a Belt Splicer for Belt Splicers and is the one tool that they can't be without.

With the inherent risks associated and liability involved with installing and removing conveyor belts, only the best design should be considered.

Sure Grip® Belt Clamps apply positive pressure directly to the surface of the belt. This means less damage to the carcass of the conveyor belt and generates significantly more pulling force.

The Sure Grip® Belt Clamp is robust and the bolt is not removed from the clamp, thus minimising damage and/or loss.

FEATURES

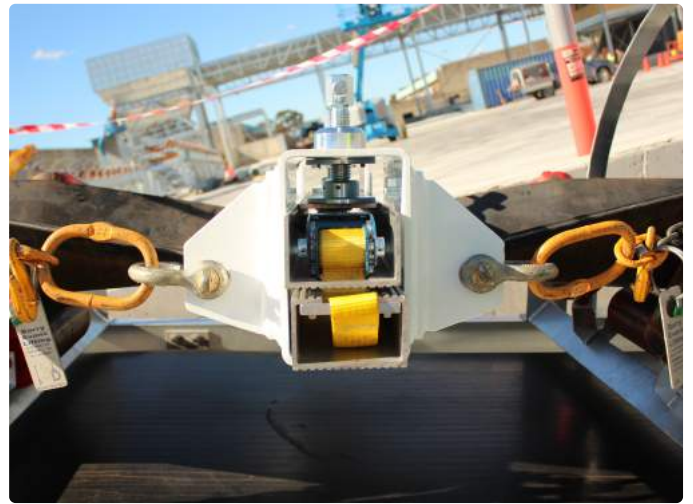
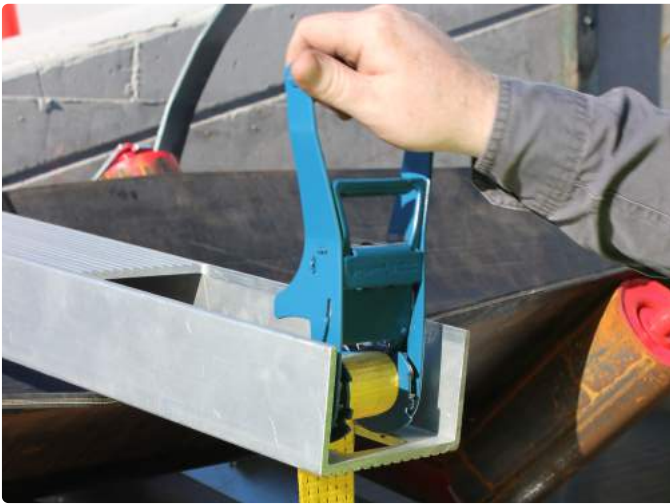
- ▶ The Original patented design since 1998
- ▶ Australian Made
- ▶ Clamp end & Screws are made from High Grade Steel
- ▶ Designed for use in any conditions
- ▶ Choice of Lightweight aluminium bars or heavy duty steel bars
- ▶ Easy to transport & assemble
- ▶ Available in different colours
- ▶ Available in single lug or double lug head
- ▶ Available with ratchet winches to remove trough on heavier belts.

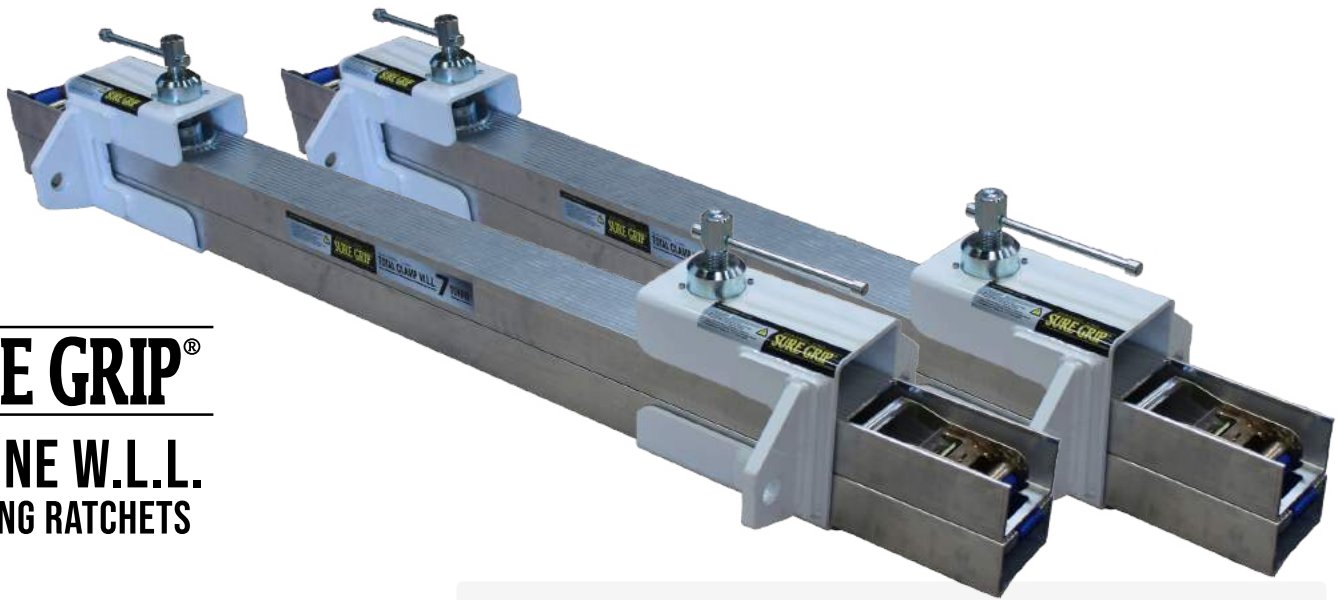




SURE GRIP®

7 TONNE W.L.L.
INCLUDING RATCHETS





SURE GRIP®

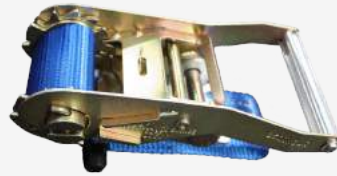
7 TONNE W.L.L. INCLUDING RATCHETS

The Sure Grip Ratchet series offers the inclusion of ratchet winches on both ends of the clamp bars to assist in removing the belt trough in heavier belts.

The use of ratchet winches allows the raising of the lower bar with ease and eliminates the need for back-breaking lifting, thus reducing the possibility of injury or accidents.

The Sure Grip Ratchet series includes the following two ratchet winch options:

R1 Ratchets



SG7-R1

Anti-Belt-Slip (ABS) Controlled Release Ratchets



SG7-ABS



R1 Ratchets

SURE GRIP 7 TONNE BELT CLAMPS c/w R1 RATCHETS

Max Belt Thickness = 50mm

Single Lug Set #

Double Lug Set*

Belt Width		Bar Length [^]		Item Code	Weight		Item Code	Weight	
mm	in.	mm	in.		kg	lbs		kg	lbs
1200	48	1600	64	SG7-ST-1200-AB-SL-R1	142.57	314.36	SG7-ST-1200-AB-DL-R1	146.09	322.12
1400	56	1800	72	SG7-ST-1400-AB-SL-R1	147.41	325.03	SG7-ST-1400-AB-DL-R1	150.93	332.80
1500	60	1900	76	SG7-ST-1500-AB-SL-R1	149.83	330.37	SG7-ST-1500-AB-DL-R1	153.35	338.13
1600	64	2000	80	SG7-ST-1600-AB-SL-R1	152.25	335.71	SG7-ST-1600-AB-DL-R1	155.77	343.47
1800	72	2200	88	SG7-ST-1800-AB-SL-R1	157.09	346.38	SG7-ST-1800-AB-DL-R1	160.61	354.14
1900	76	2300	92	SG7-ST-1900-AB-SL-R1	159.51	351.72	SG7-ST-1900-AB-DL-R1	163.03	359.48
2000	80	2400	96	SG7-ST-2000-AB-SL-R1	161.93	357.05	SG7-ST-2000-AB-DL-R1	165.45	364.81
2200	88	2600	104	SG7-ST-2200-AB-SL-R1	166.77	367.72	SG7-ST-2200-AB-DL-R1	170.29	375.49
2400	96	2800	112	SG7-ST-2400-AB-SL-R1	171.61	378.40	SG7-ST-2400-AB-DL-R1	175.13	386.16
2500	100	2900	116	SG7-ST-2500-AB-SL-R1	174.03	383.73	SG7-ST-2500-AB-DL-R1	177.55	391.49



Anti-Belt-Slip (ABS) Controlled Release Ratchets

When the tension is released using a conventional ratchet the user has very little control of the load release. Anyone who has experienced this knows how important ABS is. It means you have complete control even during release.

The ABS system lets you release the pretension force in small steps. This gives you the opportunity to lower the bottom bar in a safer manner helping prevent damage and accidents.

Also the extended handle of the ABS ratchet makes tensioning much easier. You can achieve even high pretensioning forces using much less muscle power. As you always pull ABS ratchets downwards instead of pushing upwards, they are much gentler on your back. With the extra-long lever, you'll be able to fulfil ergonomic demands to an even higher level.

SURE GRIP 7 TONNE BELT CLAMPS c/w ABS RATCHETS

Max Belt Thickness = 50mm

Single Lug Set #

Double Lug Set*

Belt Width		Bar Length [^]		Item Code	Weight		Item Code	Weight	
mm	in.	mm	in.		kg	lbs		kg	lbs
1200	48	1600	64	SG7-ST-1200-AB-SL-R1	142.57	314.36	SG7-ST-1200-AB-DL-R1	146.09	322.12
1400	56	1800	72	SG7-ST-1400-AB-SL-R1	147.41	325.03	SG7-ST-1400-AB-DL-R1	150.93	332.80
1500	60	1900	76	SG7-ST-1500-AB-SL-R1	149.83	330.37	SG7-ST-1500-AB-DL-R1	153.35	338.13
1600	64	2000	80	SG7-ST-1600-AB-SL-R1	152.25	335.71	SG7-ST-1600-AB-DL-R1	155.77	343.47
1800	72	2200	88	SG7-ST-1800-AB-SL-R1	157.09	346.38	SG7-ST-1800-AB-DL-R1	160.61	354.14
1900	76	2300	92	SG7-ST-1900-AB-SL-R1	159.51	351.72	SG7-ST-1900-AB-DL-R1	163.03	359.48
2000	80	2400	96	SG7-ST-2000-AB-SL-R1	161.93	357.05	SG7-ST-2000-AB-DL-R1	165.45	364.81
2200	88	2600	104	SG7-ST-2200-AB-SL-R1	166.77	367.72	SG7-ST-2200-AB-DL-R1	170.29	375.49
2400	96	2800	112	SG7-ST-2400-AB-SL-R1	171.61	378.40	SG7-ST-2400-AB-DL-R1	175.13	386.16
2500	100	2900	116	SG7-ST-2500-AB-SL-R1	174.03	383.73	SG7-ST-2500-AB-DL-R1	177.55	391.49



SG7-CH-L



SG7-CH-DL



SG7-CH-R



SG7-HD-L



SG7-HD-DL



SG7-HD-R



SG7-B0

SURE GRIP 7 TONNE BELT CLAMPS REPLACEMENT BARS

Aluminium Bars with R1 Ratchets

(1 Top Bar & 1 Bottom Bar)

Item Code	Weight	
	kg	lbs
SG7-BA-1200-AB-R1	24.04	53.02
SG7-BA-1400-AB-R1	26.46	58.35
SG7-BA-1500-AB-R1	27.67	61.02
SG7-BA-1600-AB-R1	28.88	63.69
SG7-BA-1800-AB-R1	31.30	69.03
SG7-BA-1900-AB-R1	32.51	71.69
SG7-BA-2000-AB-R1	33.72	74.36
SG7-BA-2200-AB-R1	36.14	79.70
SG7-BA-2400-AB-R1	38.56	85.03
SG7-BA-2500-AB-R1	39.77	87.70

Aluminium Bars with ABS Ratchets

(1 Top Bar & 1 Bottom Bar)

Item Code	Weight	
	kg	lbs
SG7-BA-1200-AB-ABS	25.29	55.76
SG7-BA-1400-AB-ABS	27.71	61.09
SG7-BA-1500-AB-ABS	28.92	63.76
SG7-BA-1600-AB-ABS	30.13	66.43
SG7-BA-1800-AB-ABS	32.55	71.76
SG7-BA-1900-AB-ABS	33.76	74.43
SG7-BA-2000-AB-ABS	34.97	77.10
SG7-BA-2200-AB-ABS	37.39	82.44
SG7-BA-2400-AB-ABS	39.81	87.77
SG7-BA-2500-AB-ABS	41.02	90.44